

# 7334L2622F04LF

Catalogue Part Number Key

Lead Free Version (Optional)

Durability  
 0: 2500 Mating Cycles  
 2: 10000 Mating Cycles  
 5: 100000 Mating Cycles

Number of contacts :  
 2: 8 contacts ISO  
 3: 16 contacts ISO + AFNOR

GENERAL:  
 This L26 connector uses a "sliding" contact technology suitable for most applications.  
 It has been designed for easy mounting on the PCB.

ELECTRICAL PROPERTIES:  
 Insulation resistance : 5000 MΩ min  
 Dielectric withstanding : 750 Vrms min  
 Current carrying capacity : 10µA min. 1A max  
 Contact resistance : 100mΩ max  
 Card sensor type : Normally closed

MECHANICAL PROPERTIES:  
 Contact Normal force : 0.6 N max (EMV Standard)  
 Insertion force : 10 N max  
 Extraction force : 1 N min  
 Durability : According to UTE C93-421

MATERIAL:  
 Housing : PBT 30 % Glass Filled, Colour Black, Rated UL94V0  
 Contacts and switch : Phosphor bronze  
 Plating : Nickel all over with 3µm mini on contact area  
           Gold on contact area.  
           Tin/Lead 3 µm mini on soldertails  
 FOR LEAD FREE PLATING :  
           Matte Tin 3µm mini on solder tail in place of Tin/Lead  
           Bare edge allowed

ENVIRONMENT:  
 Operating temperature: -20°C / +70°C  
 Storage temperature: -40°C / +85°C  
 Printed Circuit Board thickness : 1.6mm

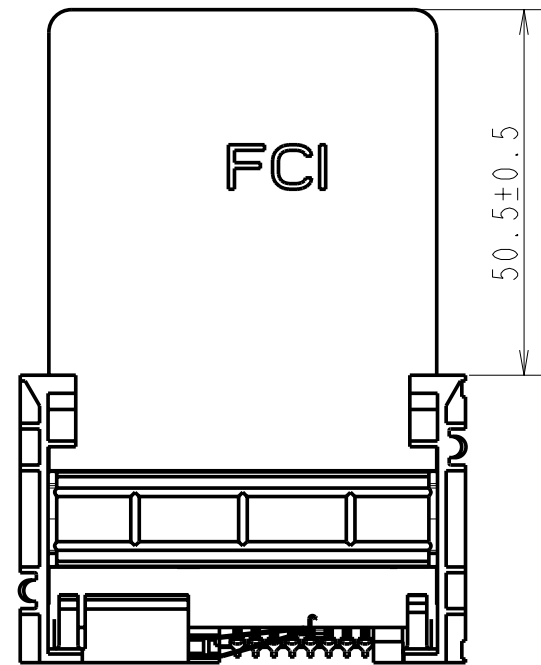
REFERENCE DOCUMENTS:  
 Product specification VGN 11596  
 Packaging Specification VGN 11619

## LEAD FREE VERSION:

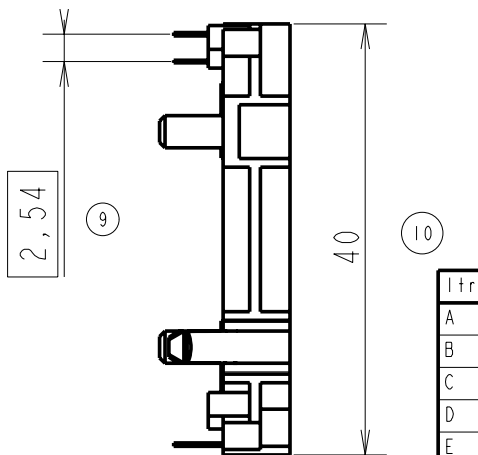
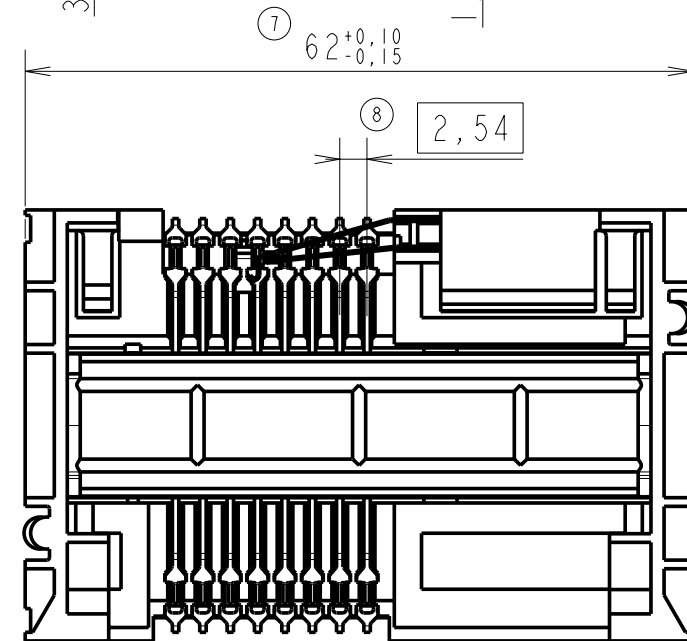
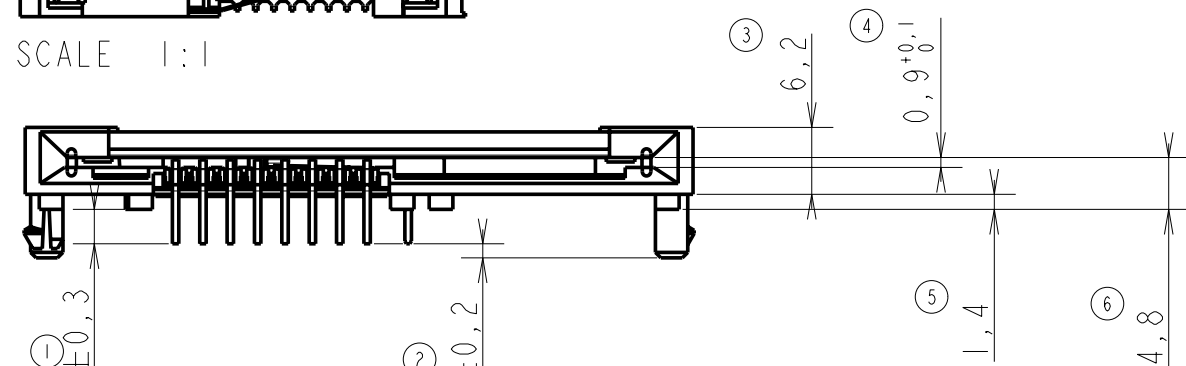
"This product meets European Union Directives and other country regulations as described in GS-22-008"

The housing will withstand exposure to 260°C peak temperature for 10seconds in a wave solder application with a 1.6mm minimum thick circuit board. Use protective adhesive tape (Kapton or Teflon) or protective metallic devices on the areas which are directly exposed to wave soldering as it is used in classical leaded wave soldering

General tolerances: ± 0.2 mm



SCALE 1:1



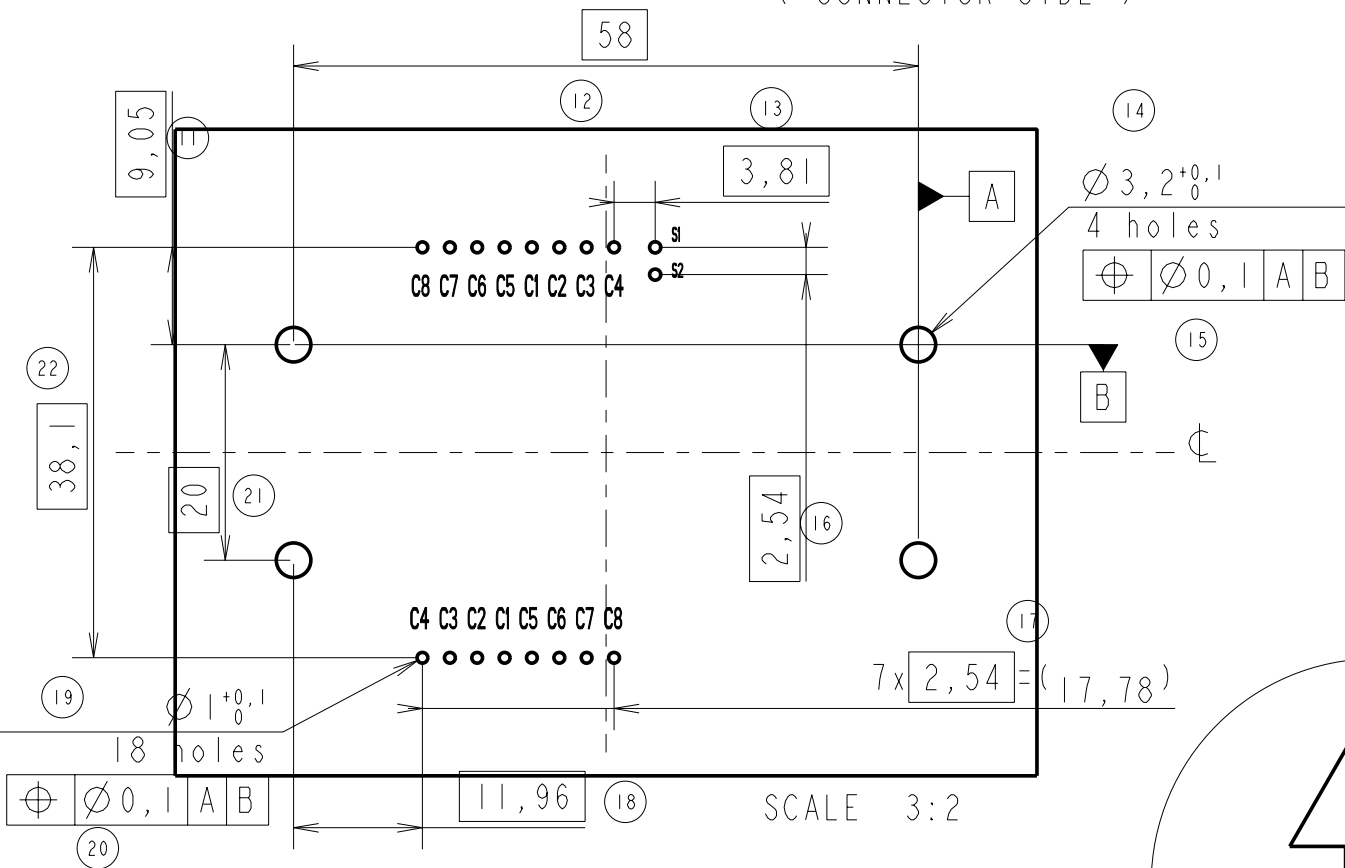
ltr	ecn no	dr	date
A	F20307	DLE	2002/04/30
B	105-0071	DTK	2005/06/25
C	106-0054	SSC	2006/05/08
D	106-0189	SSC	2006/10/17
E	107-0018	SSC	2007/02/07
-	-	-	-
-	-	-	-

www.fciconnect.com		surface - ✓ ISO 1302	tolerance std ISO 406 ISO 1101	projection mm
TOLERANCES UNLESS OTHERWISE SPECIFIED				
Dr	N.TWINCY	2002/04/30	ANGULAR	0.X ±
Eng	F TISSERAND	2002/04/30	LINEAR	0.XX ±
Chr	DILIPTHOMAS	2007/02/07	0° ±°	0.XXX ±
Appr	K.V.SIVADAS	2007/02/07	Product family	5S2F
title L26 TYPE F04			dwg no	VJW 54704
catalog no			SEE TABLE	CUSTOMER
			Rev.	E
			sheet 1 of 2	

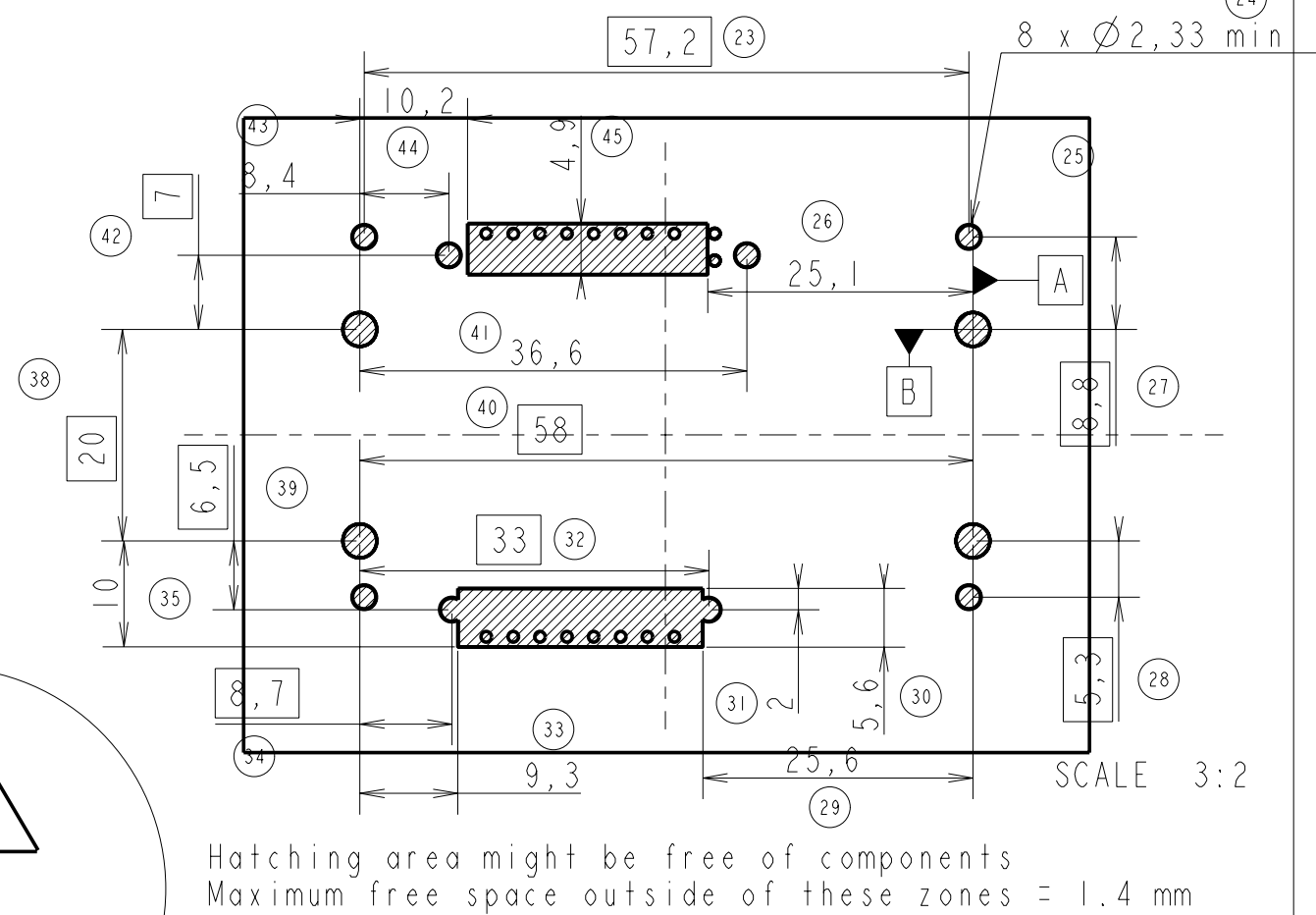


Copyright FCI.

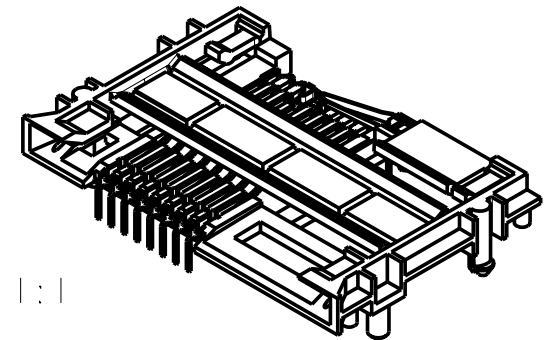
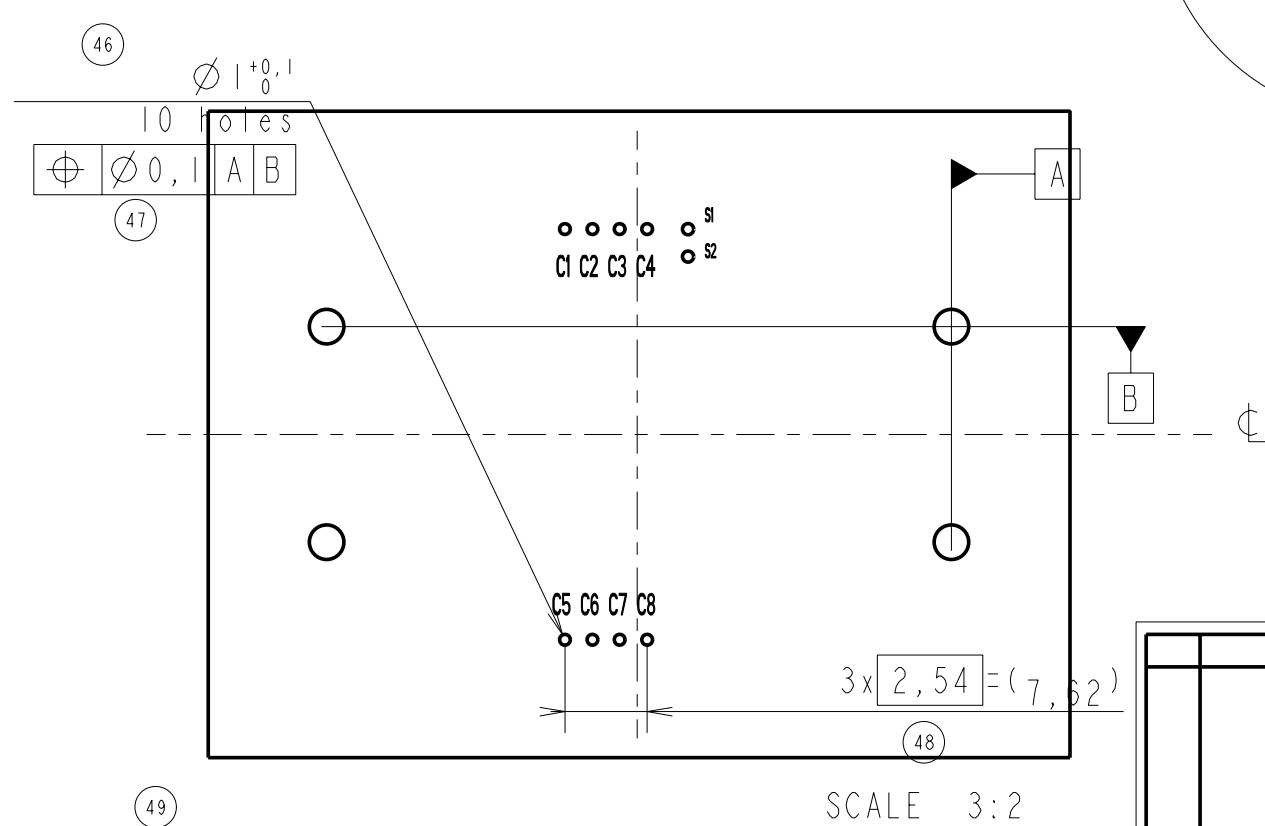
**RECOMMENDED PCB LAYOUT** CONTACT CONFIGURATION : ISO & AFNOR  
( CONNECTOR SIDE )



**STANDARD LAYOUT FOR 'KEEP OUT ZONE' (Connector Side)**



**RECOMMENDED PCB LAYOUT** CONTACT CONFIGURATION : ISO  
( CONNECTOR SIDE )



EUROPEAN PROJECTION

www.fciconnect.com		surface - <input checked="" type="checkbox"/> ISO 1302	tolerance std ISO 406 ISO 1101	projection	mm
TOLERANCES UNLESS OTHERWISE SPECIFIED					
Dr	N.TWENCY	2002/04/30	ANGULAR	0.X	±
Eng	F TISSERAND	2002/04/30	LINEAR	0.XX	±
Chr	DILIPTHOMAS	2007/02/07	0° ±°	0.XXX	±
Appr	K.V.SIVADAS	2007/02/07	Product family	5S2F	Spec ref
title L26 TYPE F04		dwg no VJW 54704		Rev. E	
catalog no		SEE TABLE		CUSTOMER sheet 2 of 2	

Copyright FCI.