

# Customer Information Sheet

DRAWING No.: M80-2260000B

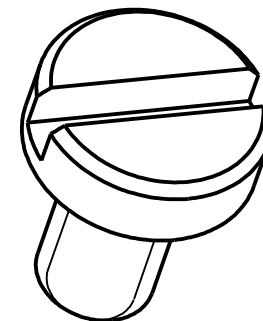
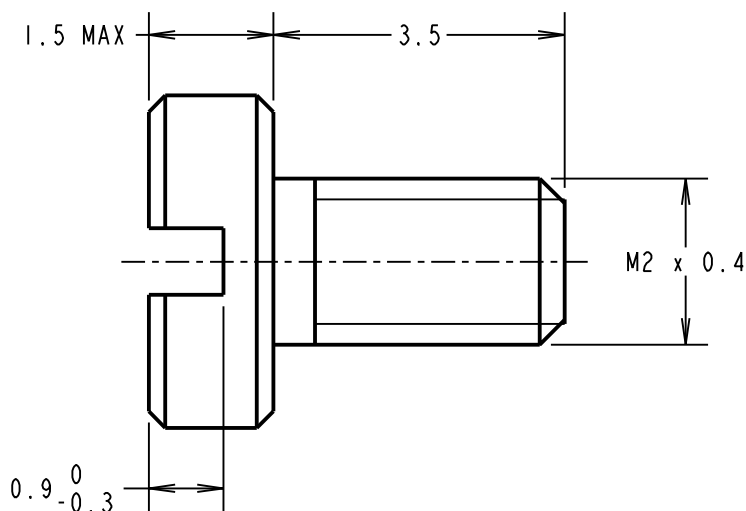
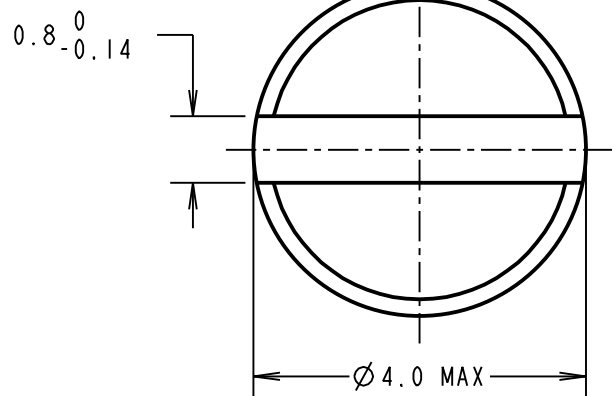
IF IN DOUBT - ASK

Ⓒ

NOT TO SCALE

THIRD ANGLE PROJECTION

ALL DIMENSIONS IN mm



NOTES:

1. FOR USE ON DATAMATE BOARD MOUNT.
2. PACKED IN BAGS OF 12.
3. PART No., QUANTITY & BATCH No. ARE PRINTED ON BAG

MSP	3	11.05.16	13433
NAME	ISS.	DATE	C/NOTE
APPROVED:		M.PERREN	
CHECKED:		M.PLESTED	
DRAWN:		S.FLOWER	
CUSTOMER REF.:			
ASSEMBLY DRG:			

## HARWIN

www.harwin.com  
technical@harwin.com

THIS DRAWING AND ANY INFORMATION OR DESCRIPTIVE MATTER SET OUT HEREON ARE CONFIDENTIAL AND COPYRIGHT PROPERTY OF THE HARWIN GROUP AND MUST NOT BE DISCLOSED, LOANED, COPIED OR USED FOR MANUFACTURING, TENDERING OR FOR ANY OTHER PURPOSE WITHOUT THEIR WRITTEN PERMISSION.

TOLERANCES

X. = ±1mm  
X.X = ±0.50mm  
X.XX = ±0.10mm  
X.XXX = ±0.01mm  
ANGLES = ±5°  
UNLESS STATED

MATERIAL:

STAINLESS STEEL

FINISH: CLEAN

S/AREA:

mm<sup>2</sup>

TITLE:

JACKSCREW DATAMATE SHORT SLOTTED SCREWS IN BAG

DRAWING NUMBER:

M80-2260000B

SHT  
2 OF 2