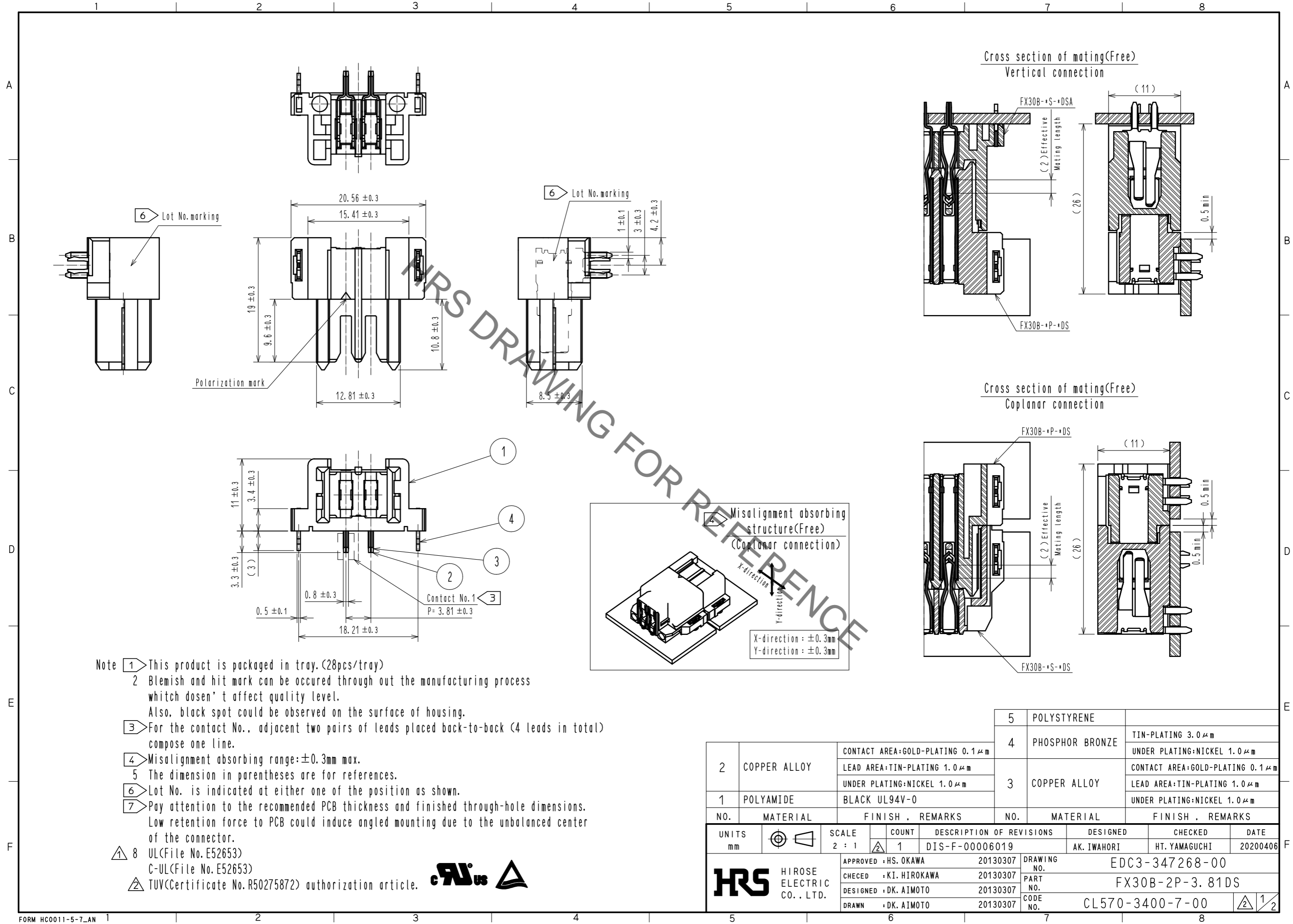


Jun.1.2020 Copyright 2020 HIROSE ELECTRIC CO., LTD. All Rights Reserved.
 In case of consideration for using Automotive equipment / device which demand high reliability, kindly contact our sales window correspondents.



- Note
- ① This product is packaged in tray. (28pcs/tray)
 - ② Blemish and hit mark can be occurred through out the manufacturing process which dosen't affect quality level. Also, black spot could be observed on the surface of housing.
 - ③ For the contact No., adjacent two pairs of leads placed back-to-back (4 leads in total) compose one line.
 - ④ Misalignment absorbing range: ±0.3mm max.
 - ⑤ The dimension in parentheses are for references.
 - ⑥ Lot No. is indicated at either one of the position as shown.
 - ⑦ Pay attention to the recommended PCB thickness and finished through-hole dimensions. Low retention force to PCB could induce angled mounting due to the unbalanced center of the connector.
 - ⑧ UL(File No. E52653)
 C-UL(File No. E52653)
 TÜV(Certificate No. R50275872) authorization article.



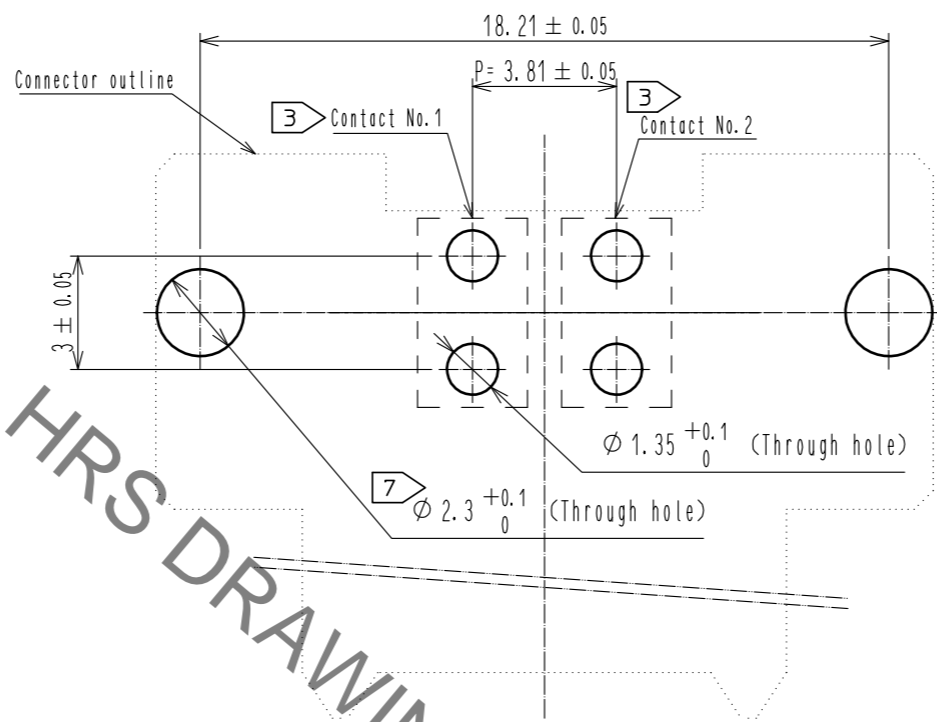
NO.	MATERIAL	FINISH . REMARKS	NO.	MATERIAL	FINISH . REMARKS
2	COPPER ALLOY	CONTACT AREA:GOLD-PLATING 0.1 μm LEAD AREA:TIN-PLATING 1.0 μm UNDER PLATING:NICKEL 1.0 μm	3	COPPER ALLOY	CONTACT AREA:GOLD-PLATING 0.1 μm LEAD AREA:TIN-PLATING 1.0 μm UNDER PLATING:NICKEL 1.0 μm
1	POLYAMIDE	BLACK UL94V-0	4	PHOSPHOR BRONZE	TIN-PLATING 3.0 μm UNDER PLATING:NICKEL 1.0 μm
			5	POLYSTYRENE	

UNITS	SCALE	COUNT	DESCRIPTION OF REVISIONS	DESIGNED	CHECKED	DATE
mm	2 : 1	1	DIS-F-00006019	AK. IWAHORI	HT. YAMAGUCHI	20200406

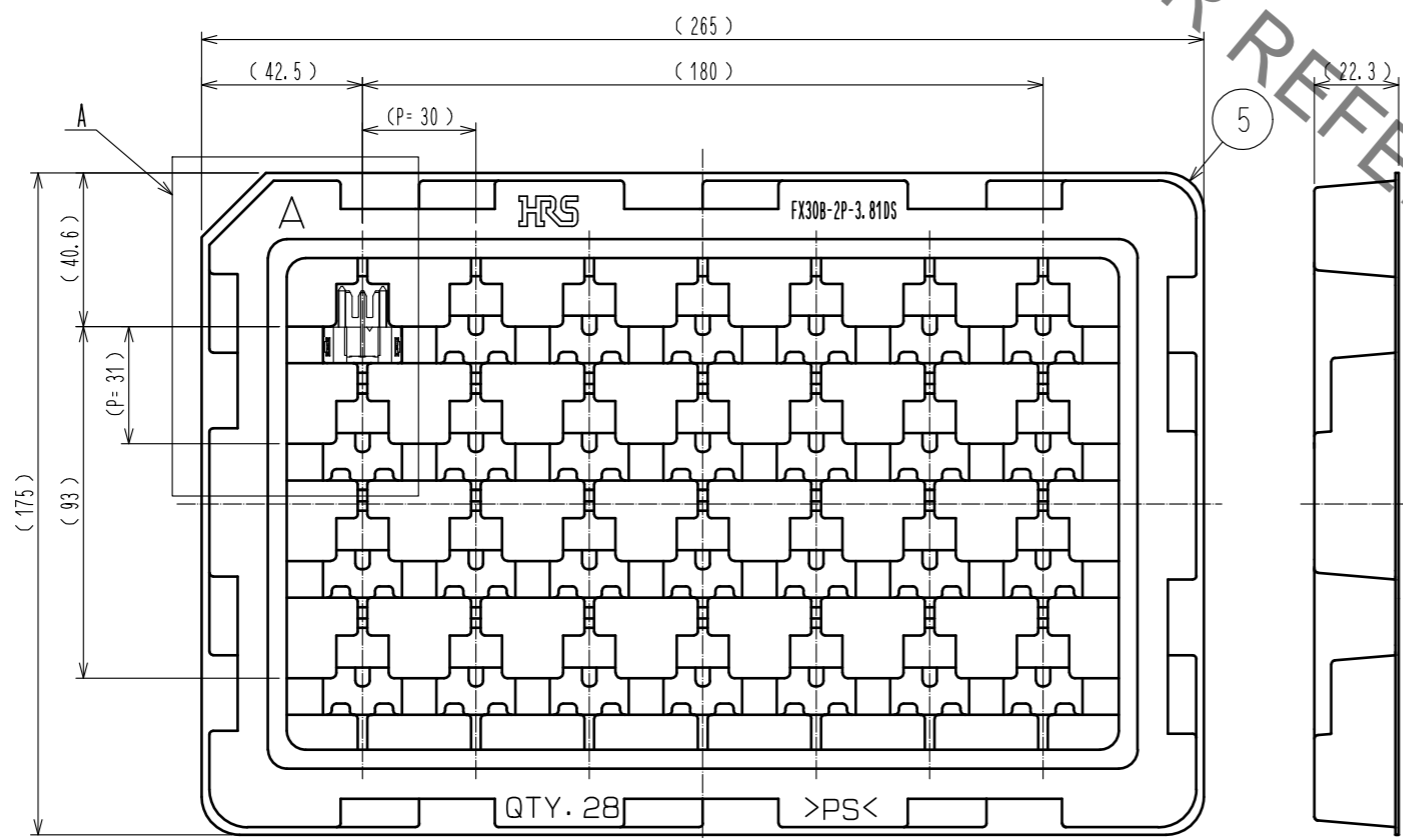
APPROVED	CHECED	DESIGNED	DRAWN	DRAWING NO.	PART NO.	CODE NO.
HS. OKAWA	KI. HIROKAWA	DK. AIMOTO	DK. AIMOTO	EDC3-347268-00	FX30B-2P-3.81DS	CL570-3400-7-00
20130307	20130307	20130307	20130307			

Jun.1.2020 Copyright 2020 HIROSE ELECTRIC CO., LTD. All Rights Reserved.
 In case of consideration for using Automotive equipment / device which demand high reliability, kindly contact our sales window correspondents.

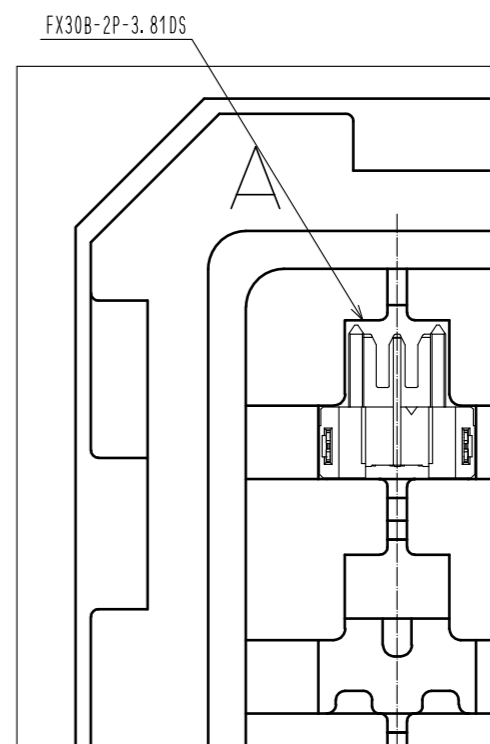
Recommended hole pattern dimension of PCB(5:1)
 (Connector mounting side, PCB thickness:t=1.6mm) $\triangleleft 7$



$\triangleleft 1$ Drawing for packaging(1:2)



A(1:1)



HRS	DRAWING NO.	EDC3-347268-00	$\triangleleft 2/2$
	PART NO.	FX30B-2P-3.81DS	
	CODE NO.	CL570-3400-7-00	