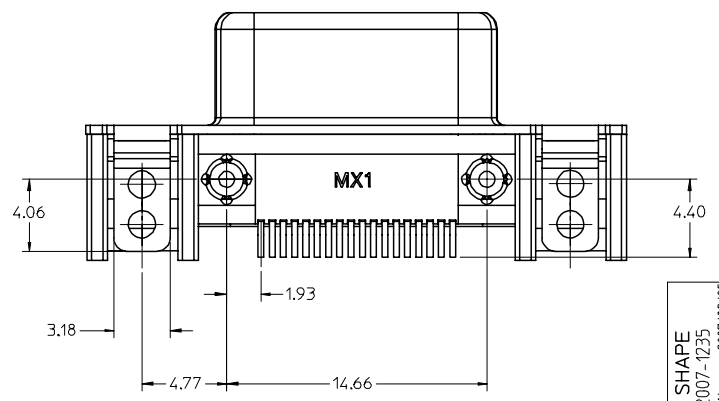
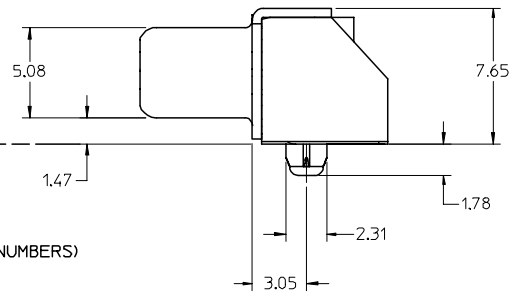
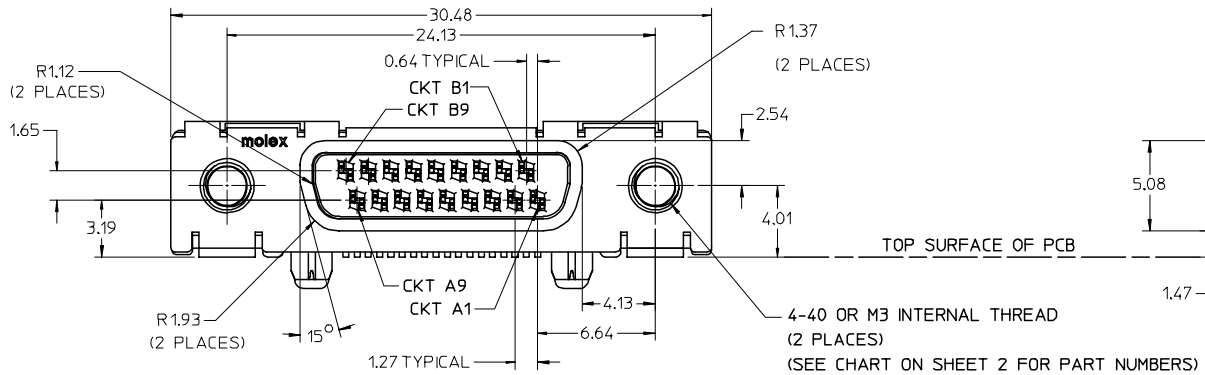


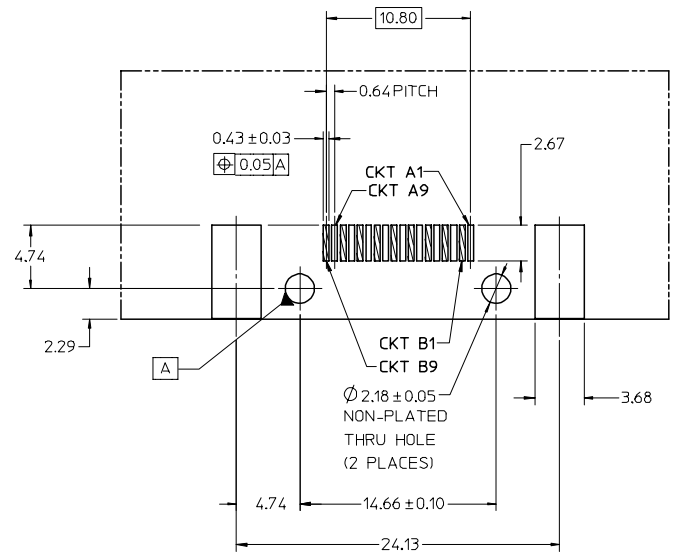
- NOTES:
- MATERIALS:
SHIELD: DEEP DRAWN STEEL
HOUSING: GLASS FILLED POLYMER, BLACK, UL 94V-0
CONTACTS: COPPER ALLOY
 - PLATING:
SHIELD: 2.54 MICROMETERS BRIGHT TIN (Sn) MINIMUM OVER 1.27 MICROMETERS NICKEL (Ni) MINIMUM OVER COPPER (Cu) UNDERPLATE OVERALL.
TERMINAL: SELECTIVE GOLD (Au) IN CONTACT AREA, THICKNESS: 0.38 MICROMETERS MINIMUM, SELECTIVE TIN (Sn) IN TAIL AREA, THICKNESS 2.54 MICROMETERS MINIMUM, NICKEL (Ni) UNDERPLATE OVERALL.
 - SMT TAILS AND TWO GROUND TABS ARE COPLANAR WITHIN 0.127mm.
 - PARTS ARE PACKAGED IN TAPE AND REEL PER PK-74960-995.
 - REFER TO SHEET 2 FOR RECOMMENDED PCB LAYOUT AND PANEL CUT-OUT.
 - RECOMMENDED JACK POST MOUNTING HARDWARE (QUANTITY: 2 PER ASSEMBLY). SEE CHART ON SHEET 2 FOR JACK POST NUMBER AND REFER TO SALES DRAWING SD-74962-000.
 - PRODUCT CONFORMS TO MOLEX PRODUCT SPECIFICATION PS-74960-000.



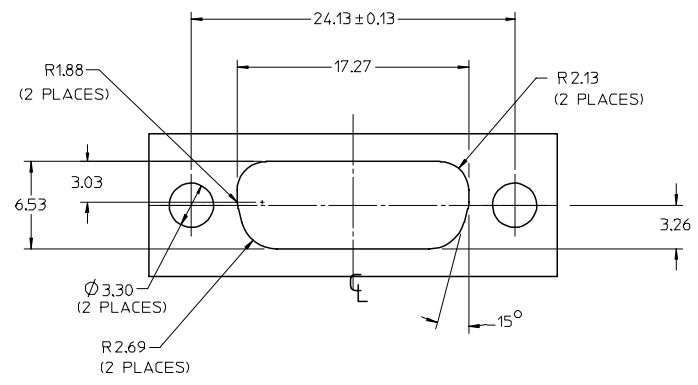
MODIFY D SHAPE FC NO: UCP2007-1235 DRAWN: DMORGAN 2007/02/05 CHK'D: BBARKER 2007/02/09 APP'R: SMILLER 2007/02/09 REV: B1	QUALITY SYMBOLS ▽=0 ▽=0	GENERAL TOLERANCES (UNLESS SPECIFIED)		DIMENSION STYLE MM ONLY		SCALE 5:1	DESIGN UNITS METRIC	THIRD ANGLE PROJECTION	
		4 PLACES ± --- ± ---	mm INCH	DRAWN BY DMORGAN	DATE 05/01/12	TITLE SALES DRAWING 1X PCIE 18 CIRCUIT RECEPTACLE ASSEMBLY			
		3 PLACES ± --- ± ---		CHECKED BY BBARKER	DATE 05/01/12	MOLEX INCORPORATED			
		2 PLACES ± 0.13 ± ---		APPROVED BY SMILLER	DATE 05/01/12	MATERIAL NO. SEE CHART	DOCUMENT NO. SD-74150-001	SHEET NO. 1 OF 2	
DRAFT WHERE APPLICABLE MUST REMAIN WITHIN DIMENSIONS		ANGULAR ±1/2°		THIS DRAWING CONTAINS INFORMATION THAT IS PROPRIETARY TO MOLEX INCORPORATED AND SHOULD NOT BE USED WITHOUT WRITTEN PERMISSION					

NOTES:

1. DIMENSIONS SHOWN ABOUT A CENTERLINE, THAT ARE NOT DIMENSIONED ARE SYMMETRICAL ABOUT THAT CENTERLINE WITHIN HALF THE SPECIFIED TOLERANCE.



NOTE: CIRCUIT PADS B1 THRU B9 ARE HATCHED FOR CLARIFICATION.
RECOMMENDED PCB LAYOUT



RECOMMENDED PANEL CUTOUT
PANEL THICKNESS 0.51 MINIMUM TO 1.02 MAXIMUM

RECOMMENDED JACKPOST
INTERNAL THREAD OPTIONS
(SEE NOTE 6 ON SHEET 1)

4-40	M3
74962-0001	74962-0002

4-40 THREAD
INTERNAL THREAD

MATERIAL NUMBER	INTERNAL THREAD	
74150-0001	4-40	
74150-0002	M3	CONTACT PRODUCT MARKETING

MODIFY D SHAPE EC NO: UCP2007-1235 DRAWN: DMORGAN 2007/02/05 CHECKED: CHICK BARKER 2007/02/09 APPROVED: SMILLER 2007/02/09	QUALITY SYMBOLS	GENERAL TOLERANCES (UNLESS SPECIFIED)	DIMENSION STYLE	SCALE	DESIGN UNITS	THIRD ANGLE PROJECTION
	▽=0 ▽=0	mm INCH 4 PLACES ± --- ± --- 3 PLACES ± --- ± --- 2 PLACES ± 0.13 ± --- 1 PLACE ± --- ± --- ANGULAR ± 1/2°	MM ONLY	4:1	METRIC	DRAWN BY: DMORGAN DATE: 05/01/12 CHECKED BY: BBARKER DATE: 05/01/12 APPROVED BY: SMILLER DATE: 05/01/12
	DRAFT WHERE APPLICABLE MUST REMAIN WITHIN DIMENSIONS	SEE CHART	MATERIAL NO.	DOCUMENT NO.	TITLE SALES DRAWING 1X PCIE 18 CIRCUIT RECEPTACLE ASSEMBLY MOLEX INCORPORATED	
	B1	SIZE C	THIS DRAWING CONTAINS INFORMATION THAT IS PROPRIETARY TO MOLEX INCORPORATED AND SHOULD NOT BE USED WITHOUT WRITTEN PERMISSION	SD-74150-001	SHEET NO. 2 OF 2	