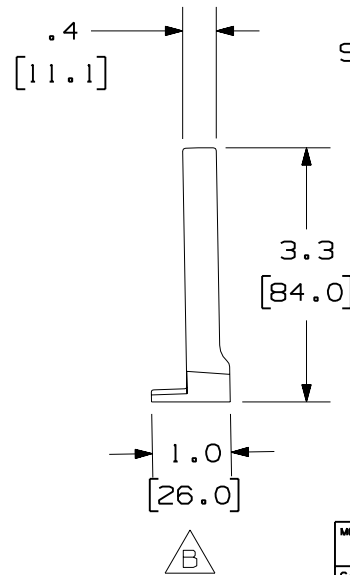
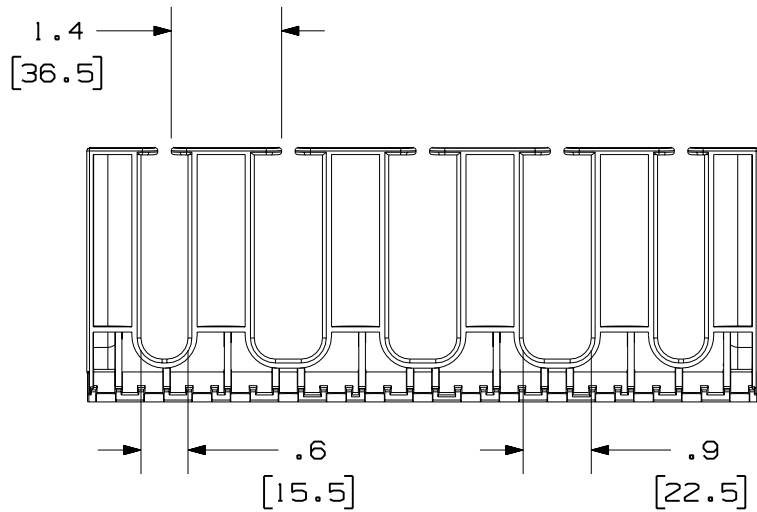
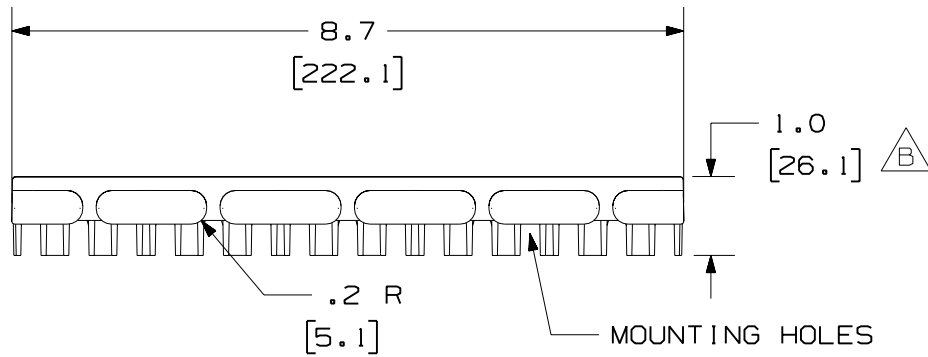


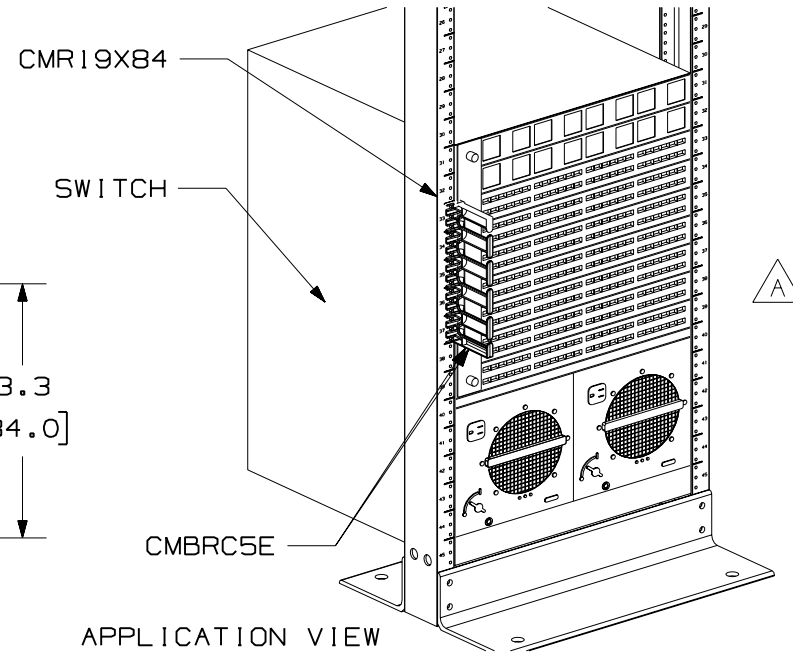
THIS COPY IS PROVIDED ON A RESTRICTED BASIS AND IS NOT TO BE USED IN ANY WAY DETRIMENTAL TO THE INTERESTS OF PANDUIT CORP.



| PANDUIT P/N | WEIGHT |
|-------------|---------------------------|
| CMBRC5 | .15 LBS/EACH 68 g/EACH |

NOTES:

1. SEE CATALOG FOR COMPLETE LIST OF PARTS APPLICABLE FOR USE WITH THIS PRODUCT.
2. CAN BE MOUNTED TO EIA STANDARD RACKS USING THE EXISTING SCREWS THAT SUPPORT THE ACTIVE EQUIPMENT.
3. DIMENSIONS IN PARENTHESIS ARE METRIC.



| | |
|---------------------|------------------------|
| MODEL FILENAME | V10024HI_CMBRC5_00.PRT |
| CAD FILENAME/LAYERS | V10024HI_DC_00C.PRT |

PANDUIT CORP. TINLEY PARK, ILLINOIS

HORIZONTAL CARD CABLE MANAGER
FOR ACTIVE EQUIPMENT
(CMBRC5) CUSTOMER DRAWING

UNLESS OTHERWISE SPECIFIED,
DIMENSIONAL TOLERANCES ARE:
(.X) ± .03 (XXX) ± .005
(.XX) ± .015 ANGLES ± 1°

UNLESS OTHERWISE SPECIFIED,
ALL DIMENSIONS ARE GIVEN
IN INCHES, THIRD ANGLE PROJECTION.

| REV | DATE | BY | CHK | DESCRIPTION | ECN | R | CUST | SUP | OTH |
|-----|---------|------|------|--|----------|---|------|-----|-----|
| I | 2-19-07 | MLVO | | B. ADDED DIMENSION. A. REPLACED ISOMETRIC VIEW WITH APPLICATION VIEW. | 10024-09 | | | | |
| R | 6-11-02 | JDWE | MECA | RELEASED TO PRODUCTION | 10024-09 | | MECA | MJM | |

| | | |
|------------------|---------------------------------|-------------------------|
| DRAWN BY JDWE | MAT'L: POLYCARBONATE - BLACK | SCALE NONE |
| DATE 6-11-02 | | DRAWING NO. 10024-09 |
| CHK'D MECA | | DWG A SIZE |