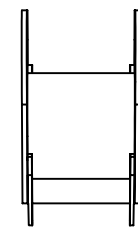
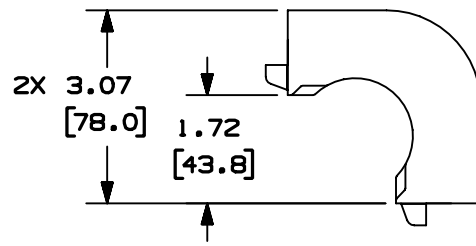
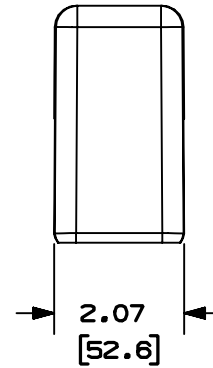
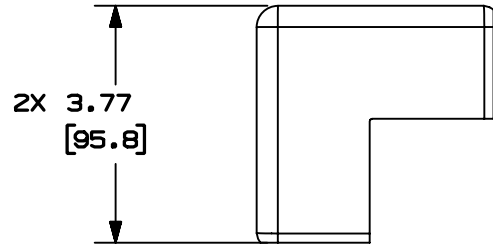


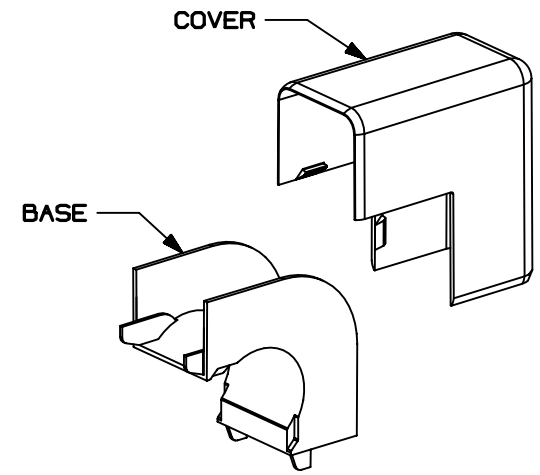
THIS COPY IS PROVIDED ON A RESTRICTED BASIS AND IS NOT TO BE USED IN ANY WAY DETRIMENTAL TO THE INTERESTS OF PANDUIT CORP.



PANDUIT PART NO.	WEIGHT
OFR200C	.13 lbs / EACH (90.7 g / EACH)

NOTES:

1. SEE CURENT CATALOG FOR ADDITIONAL PART NUMBER SUFFIXES TO INDICATE COLOR AND/OR PACKAGE QUANTITY.
2. DIMENSIONS IN PARENTHESES ARE IN METRIC.
3. FITTING PROVIDES 1" MIN. BEND RADIUS.



CAD FILENAME/LAYERS D38499BC_DC_OFR200C_00B.PRT

PANDUIT CORP. TINLEY PARK, ILLINOIS
 OFFICE FURNITURE OUTSIDE
 CORNER FITTING (OFR200C)
 CUSTOMER DRAWING

UNLESS OTHERWISE SPECIFIED,
 DIMENSIONAL TOLERANCES ARE:
 (.X) ± (.XXX) ±
 (.XX) ± .03 (.8) ANGLES ±

UNLESS OTHERWISE SPECIFIED,
 ALL DIMENSIONS ARE GIVEN
 IN INCHES, THIRD ANGLE PROJECTION.

REV	DATE	BY	CHK	DESCRIPTION	ECN	CHK	CUST	SUP
1	04-28-03	JBN	RPA	RELEASED TO PRODUCTION	38499-03	RGRO	RGRO	
R	03-13-03	JBN	RPA	DRAWING RELEASED				

DRAWN BY JBN	MAT'L: PVC	SCALE NONE
DATE 03-13-03		DRAWING NO. 38499-03
CHK'D RPA		DWG A SIZE