

Electronic housing - ECS-B-122X109-S-UV1-V - 1054710

Please be informed that the data shown in this PDF Document is generated from our Online Catalog. Please find the complete data in the user's documentation. Our General Terms of Use for Downloads are valid (<http://phoenixcontact.com/download>)

Screw locking vented enclosure of the ECS Family. IP66/67/69 rated when mated with associated faceplate. Color: Black (9005), Width: 164 mm, Height: 116 mm, Depth: 64 mm



Your advantages

- Part of the EnviroCase System
- Suitable for outdoor/indoor applications
- IP66/IP67 rated with faceplate secured to the base
- Wall, panel, or pole mounting options
- Toolless assembly
- Breather vent



Key Commercial Data

Packing unit	5 pc
Minimum order quantity	5 pc
GTIN	
GTIN	4055626689197

Technical data

Item properties

Type	ECS-B-122X109-S-UV1-V
Order No.	1054710
Housing type	outdoor housings
Type	Screw locking
Impact strength	IK08
Mounting type	Wall or panel mount. Pole mount with accessory.
Ventilation	integrated pressure compensation membrane
Type of locking	screw locking

Measurements

Electronic housing - ECS-B-122X109-S-UV1-V - 1054710

Technical data

Measurements

Width [w]	164 mm
Height [h]	116 mm
Depth [d]	64 mm

Material specifications

Color (RAL)	black (9005)
Flammability rating according to UL 94	V0
Housing material	PC (polycarbonate)

Ambient conditions

Ambient temperature (operation)	-40 °C ... 100 °C
---------------------------------	-------------------

PCB data

PCB thickness	1.57 mm ... 2.36 mm
---------------	---------------------

Packaging information

Pieces per package	5
Denomination packing units	Pcs.

Standards and regulations

Flammability rating according to UL 94	V0
--	----

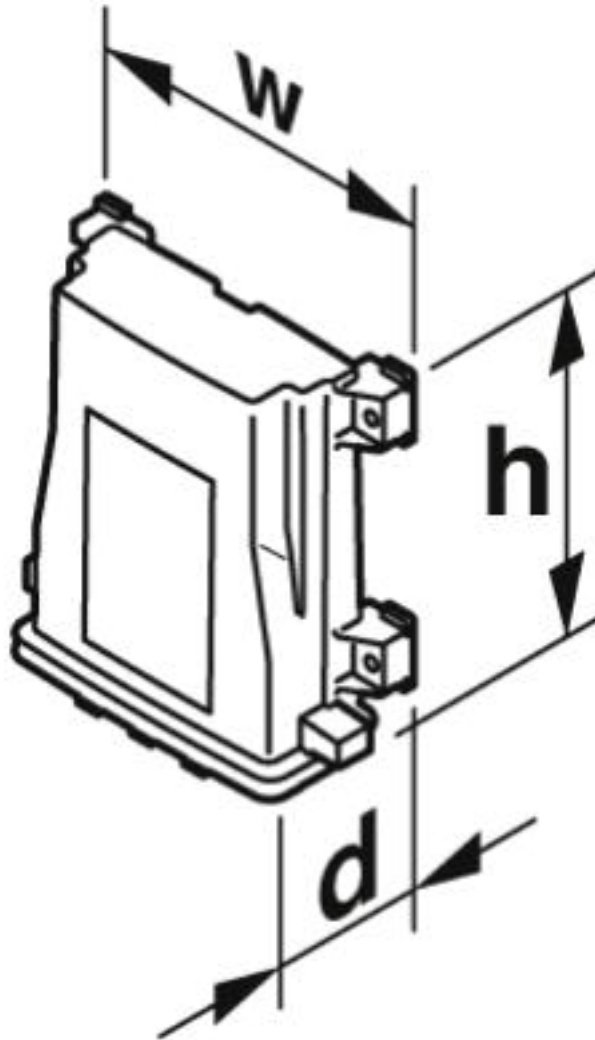
Environmental Product Compliance

REACH SVHC	Lead 7439-92-1
China RoHS	Environmentally friendly use period: unlimited = EFUP-e
	No hazardous substances above threshold values

Drawings

Electronic housing - ECS-B-122X109-S-UV1-V - 1054710

Dimensional drawing



Classifications

eCl@ss

eCl@ss 10.0.1	27182702
eCl@ss 4.0	27180401
eCl@ss 4.1	27180401
eCl@ss 5.0	27180505
eCl@ss 5.1	27180505
eCl@ss 6.0	27180800
eCl@ss 7.0	27182702
eCl@ss 8.0	27182702
eCl@ss 9.0	27182702

Electronic housing - ECS-B-122X109-S-UV1-V - 1054710

Classifications

ETIM

ETIM 3.0	EC001031
ETIM 4.0	EC001031
ETIM 5.0	EC000058
ETIM 6.0	EC001031
ETIM 7.0	EC001031

UNSPSC

UNSPSC 6.01	31261501
UNSPSC 7.0901	31261501
UNSPSC 11	31261501
UNSPSC 12.01	31261501
UNSPSC 13.2	31261501
UNSPSC 18.0	31261501
UNSPSC 19.0	31261501
UNSPSC 20.0	31261501
UNSPSC 21.0	31261501

Accessories

Additional products

Front plate - ECS-P-122X169-S-UV1-B - 2230008

Screw locking blank faceplate of the ECS Family. IP66/67/69 rated when mated with associated enclosure. Color: Black (9005), Width: 163 mm, Height: 30 mm, Depth: 62 mm



Front plate - ECS-P-122X169-S-UV1-1M12 - 2230009

Screw locking one female M12 faceplate of the ECS Family. IP66/67/69 rated when mated with associated enclosure. Color: Black (9005), Width: 163 mm, Height: 30 mm, Depth: 62 mm



Front plate - ECS-P-122X169-S-UV1-2M12 - 2230010

Screw locking two female M12 faceplate of the ECS Family. IP66/67/69 rated when mated with associated enclosure. Color: Black (9005), Width: 163 mm, Height: 30 mm, Depth: 62 mm



Electronic housing - ECS-B-122X109-S-UV1-V - 1054710

Accessories

Front plate - ECS-P-122X169-S-UV1-CG - 2230011



Screw locking cable gland faceplate of the ECS Family. IP66/67/69 rated when mated with associated enclosure.
Color: Black (9005), Width: 163 mm, Height: 30 mm, Depth: 62 mm

Safety clip - ECS-BL - 2230012



Clip to prevent PCB from dropping from base when faceplate is removed.

Mounting brackets - ECS-PM - 2230013



Mounting set for mast mounting

Phoenix Contact 2020 © - all rights reserved
<http://www.phoenixcontact.com>

PHOENIX CONTACT GmbH & Co. KG
Flachsmarktstr. 8
32825 Blomberg
Germany
Tel. +49 5235 300
Fax +49 5235 3 41200
<http://www.phoenixcontact.com>