


Flat gasket - A-SEW-63-P-W - 1411288

Please be informed that the data shown in this PDF Document is generated from our Online Catalog. Please find the complete data in the user's documentation. Our General Terms of Use for Downloads are valid (<http://phoenixcontact.com/download>)

Flat gasket, material: Nylon, for threads M63, color: white



Key Commercial Data

Packing unit	10 pc
Minimum order quantity	10 pc
GTIN	 4 046356 924177
GTIN	4046356924177

Technical data

Dimensions

Outside diameter	77.9 mm
------------------	---------

Ambient conditions

Ambient temperature (operation)	-60 °C ... 130 °C
---------------------------------	-------------------

General

Material	Nylon
Color	white
Assembly instructions	for A-EXSH-M...-68L-... / G-ESSWU-M... / G-EDSWU-M... / G-ESS-M...
Manufacturer	CMP
Manufacturer product number	63ETS2
Manufacturer Designation	63MM WHITE NYLON ETS 2MM THICK

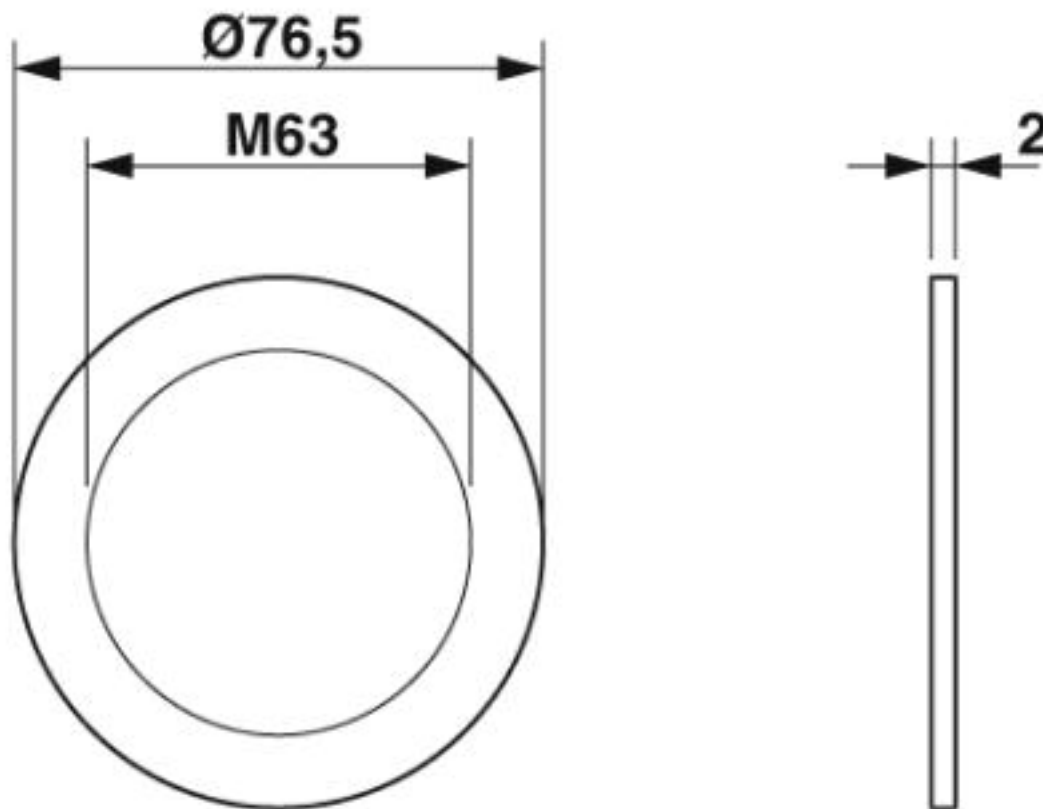
Environmental Product Compliance

REACH SVHC	Lead 7439-92-1
China RoHS	Environmentally friendly use period: unlimited = EFUP-e
	No hazardous substances above threshold values

Flat gasket - A-SEW-63-P-W - 1411288

Drawings

Dimensional drawing



Dimensional drawing

Classifications

eCl@ss

eCl@ss 10.0.1	27430319
eCl@ss 4.0	27141200
eCl@ss 4.1	27141200
eCl@ss 5.0	27149100
eCl@ss 5.1	27149100
eCl@ss 6.0	27149100
eCl@ss 7.0	27439218
eCl@ss 8.0	27439218
eCl@ss 9.0	27430319

ETIM

ETIM 4.0	EC000032
ETIM 5.0	EC000129

Flat gasket - A-SEW-63-P-W - 1411288

Classifications

ETIM

ETIM 6.0	EC001181
ETIM 7.0	EC001181

Phoenix Contact 2020 © - all rights reserved
<http://www.phoenixcontact.com>

PHOENIX CONTACT GmbH & Co. KG
Flachmarktstr. 8
32825 Blomberg
Germany
Tel. +49 5235 300
Fax +49 5235 3 41200
<http://www.phoenixcontact.com>