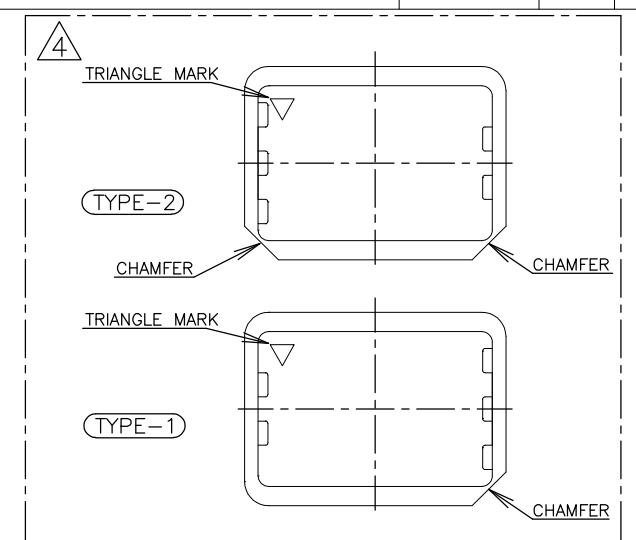
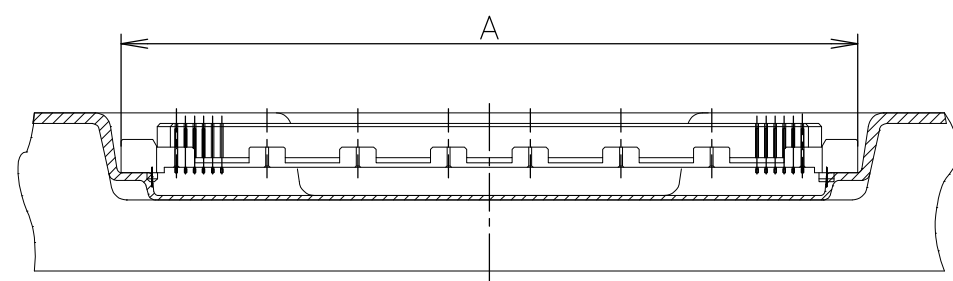
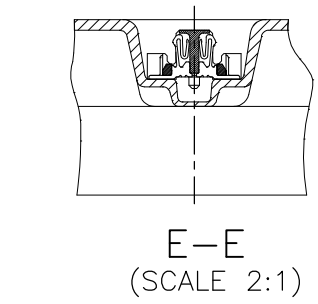
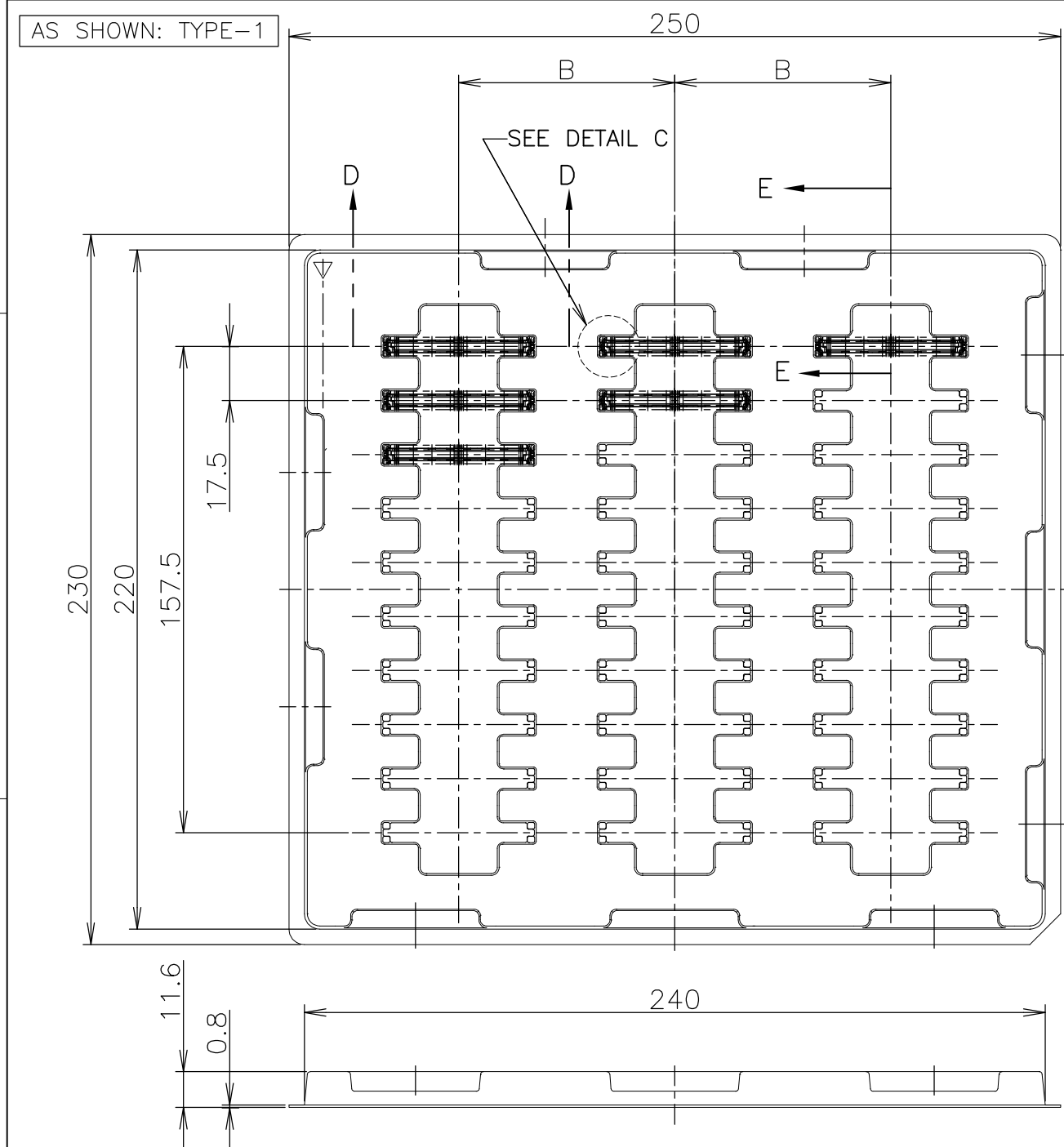
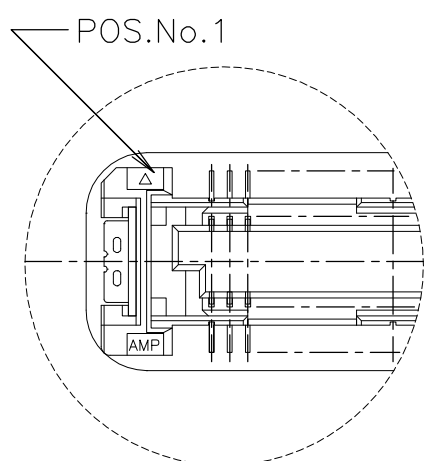


THIS DRAWING IS UNPUBLISHED. RELEASED FOR PUBLICATION MAY, 1995.
 © COPYRIGHT 1995 By - ALL RIGHTS RESERVED.

LOC	DIST	REVISIONS					
J		P	LTR	DESCRIPTION	DATE	DWN	APVD
			B1	REVISED ECR-14-013112	30JAN2015	I.T	W.H
			C	REVISED PER ECO-17-002393	27MAY17	B.J	S.Y



SEALANT	TOOLING STATUS	ROW	QTY	B	A	POS.	TRAY P/N	PART NO.
AVAILABLE	↑	3	30	70	54.7	160	912063-9	6-5316077-1
AVAILABLE	↑				48.7	140	912063-8	6- -0
NOT AVAILABLE	↓				42.7	120	4-912065-9	5- -9
NOT AVAILABLE	↓				36.7	100	8-912066-2	5- -8
NOT AVAILABLE	↓	3	30	70	33.7	90	9-912066-6	5- -7
NOT AVAILABLE	↓	5	50	43	30.7	80	912067-3	5- -6
AVAILABLE	↑				27.7	70	912063-1	5- -5
NOT AVAILABLE	↓				24.7	60	9-912066-5	5- -4
AVAILABLE	↑				21.7	50	9-912062-9	5- -3
NOT AVAILABLE	↓				18.7	40	9-912066-4	5- -2
NOT AVAILABLE	↓	5	50	43	15.7	30	9-912066-3	5-5316077-1
AVAILABLE	↑	3	30	70	54.7	160	912063-9	1-5316077-1
AVAILABLE	↑				48.7	140	912063-8	1- -0
NOT AVAILABLE	↓				42.7	120	4-912065-9	-9
NOT AVAILABLE	↓				36.7	100	8-912066-2	-8
NOT AVAILABLE	↓	3	30	70	33.7	90	9-912066-6	-7
NOT AVAILABLE	↓	5	50	43	30.7	80	912067-3	-6
AVAILABLE	↑				27.7	70	912063-1	-5
NOT AVAILABLE	↓				24.7	60	9-912066-5	-4
AVAILABLE	↑				21.7	50	9-912062-9	-3
NOT AVAILABLE	↓				18.7	40	9-912066-4	-2
NOT AVAILABLE	↓	5	50	43	15.7	30	9-912066-3	5316077-1



⚠ TRAY TYPE-1 AND TYPE-2 MUST BE PILED UP BY TURNS.
 (REFER TO PACKING SPECIFICATIONS)

GENERAL TOLERANCE
一般公差

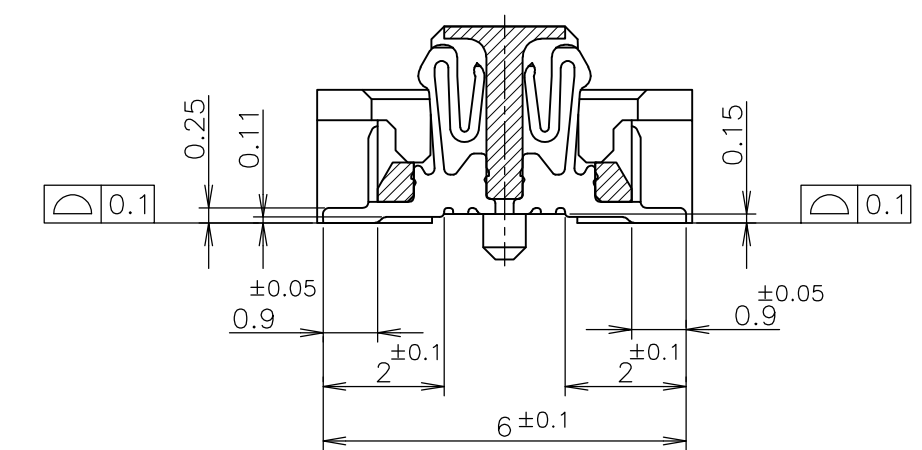
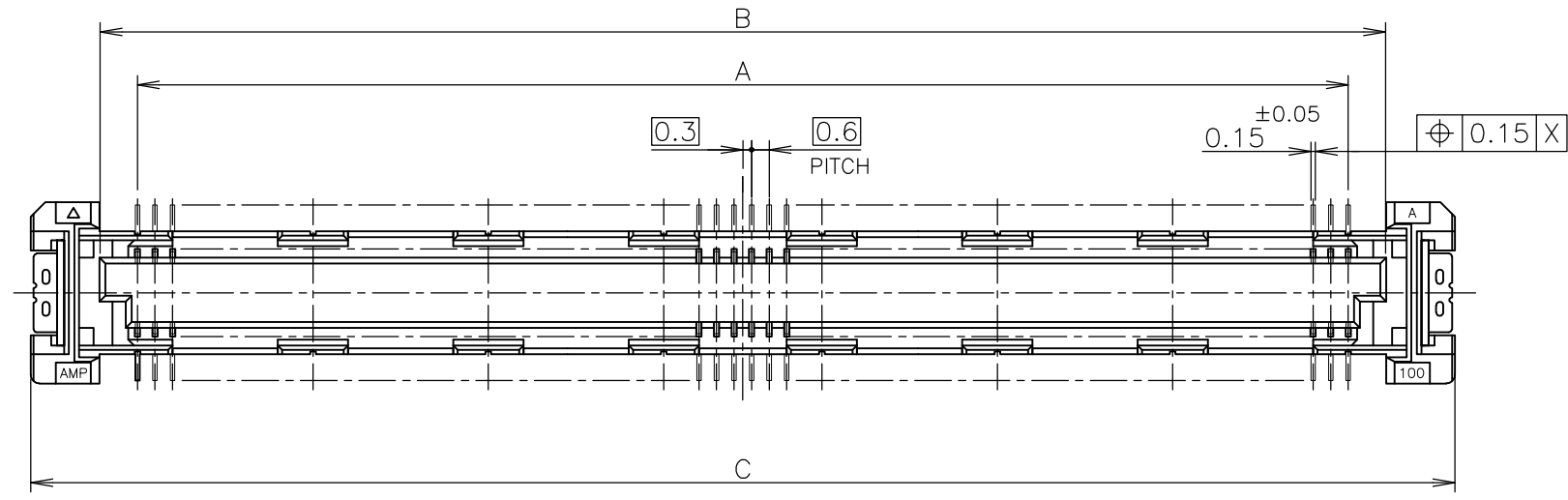
10 ≥	±0.2
30 ≥	>10: ±0.25
100 ≥	>30: ±0.3
ANGLES: ±3°	

THIS DRAWING IS A CONTROLLED DOCUMENT.

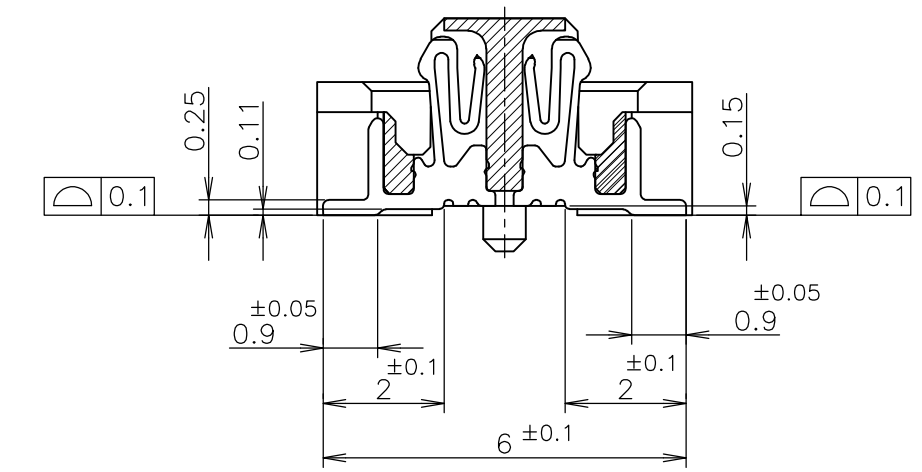
DWN HAWKING HE 21DEC04	TE Connectivity TRAY ASSY FH 0.6BTB CONNECTOR REC 4H W/G-CONT
CHK STEVEN YAO 21DEC04	
APVD I.ENOMOTO 21DEC04	
NAME I.ENOMOTO	
PRODUCT SPEC 製品規格	108-60047
APPLICATION SPEC 取付適用規格	114-5255
WEIGHT	
CUSTOMER DRAWING	SIZE A3 CAGE CODE 00779 DRAWING NO. C-5316077 RESTRICTED TO
	SCALE 1:2 SHEET 1 OF 3 REV C

THIS DRAWING IS UNPUBLISHED. RELEASED FOR PUBLICATION MAY, 1995.
 © COPYRIGHT 1995 By - ALL RIGHTS RESERVED.

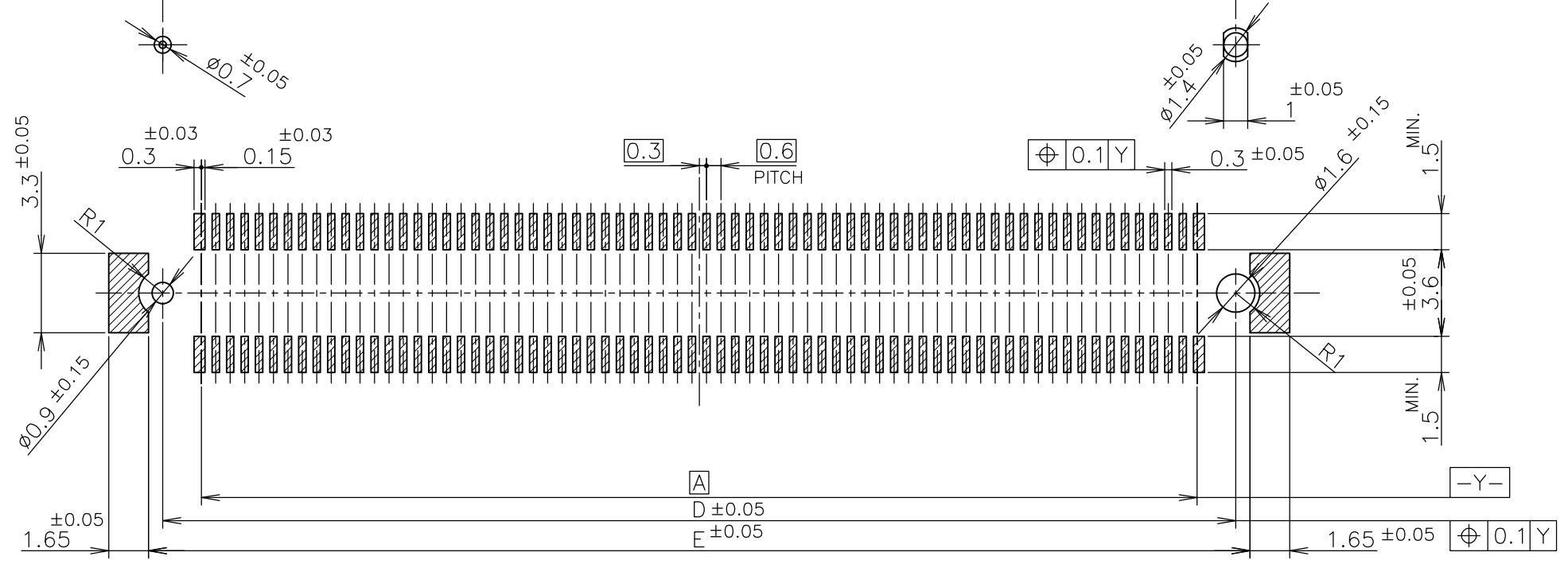
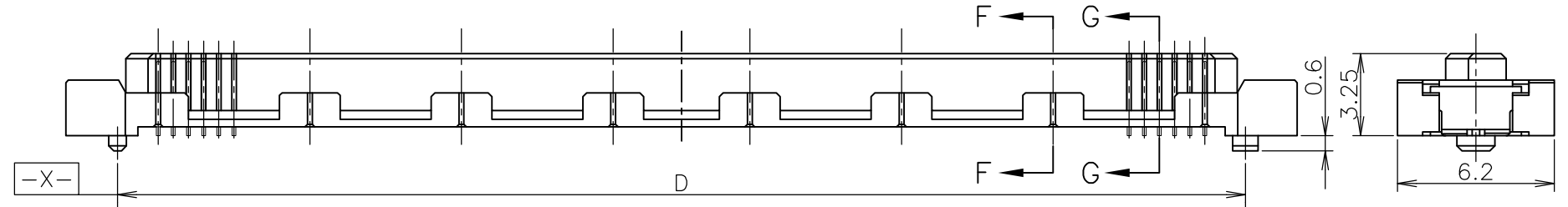
LOC	DIST	REVISIONS			DATE	DWN	APVD
J		P	LTR	DESCRIPTION			
		-		SEE SHEET 1	-	-	-



G-G
(SIGNAL POSITION)
(SCALE 8:1)



F-F
(GROUND POSITION)
(SCALE 8:1)



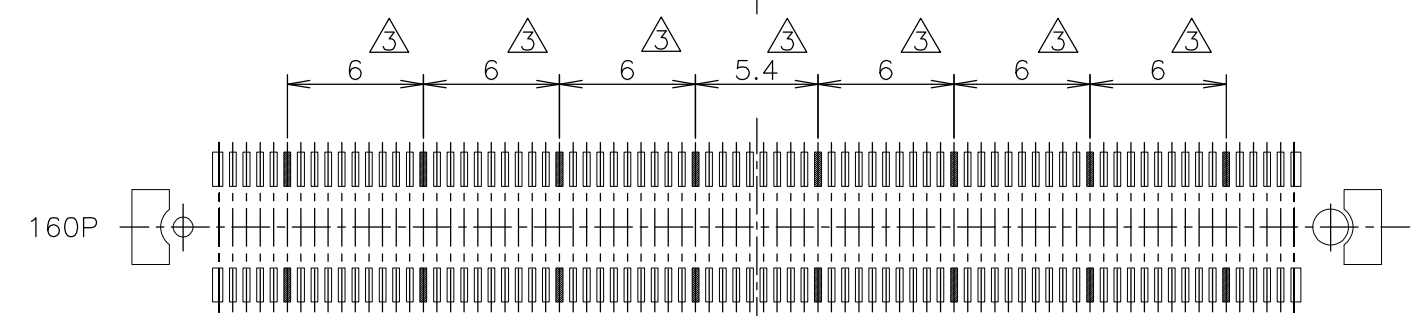
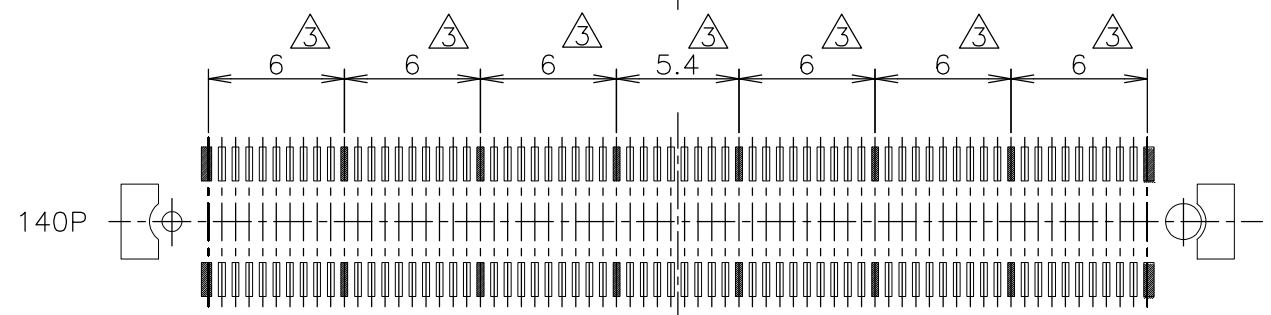
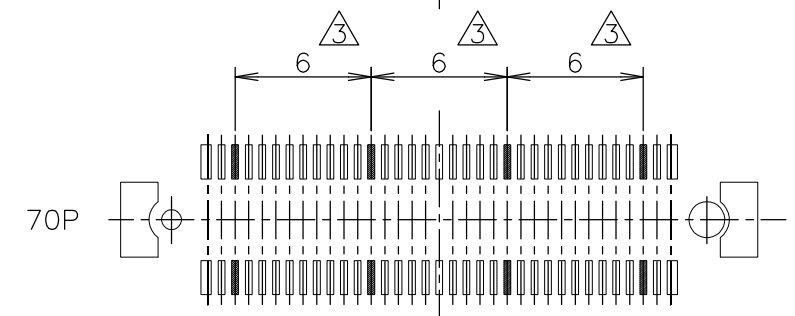
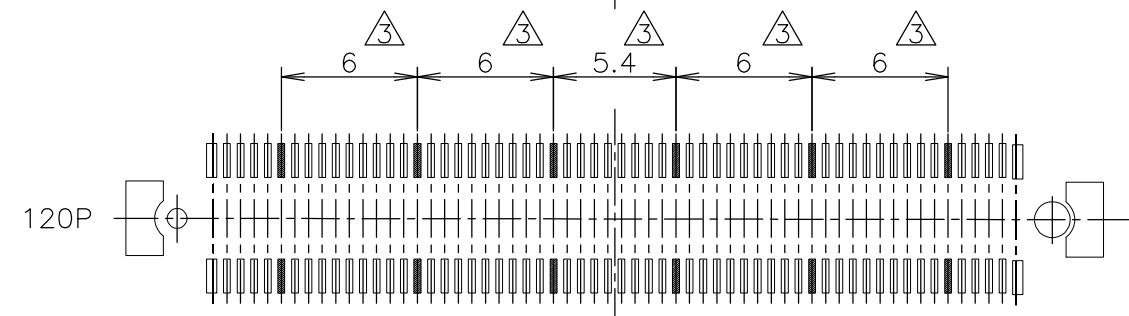
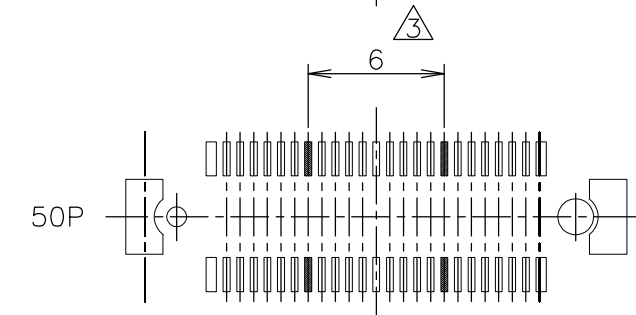
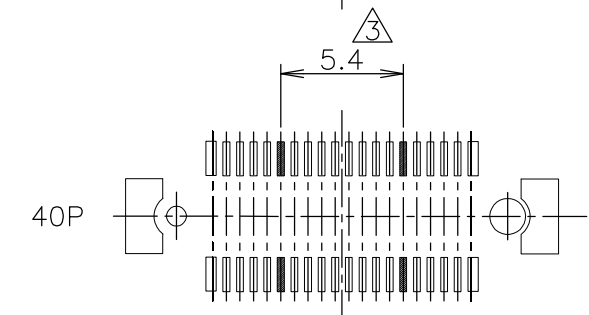
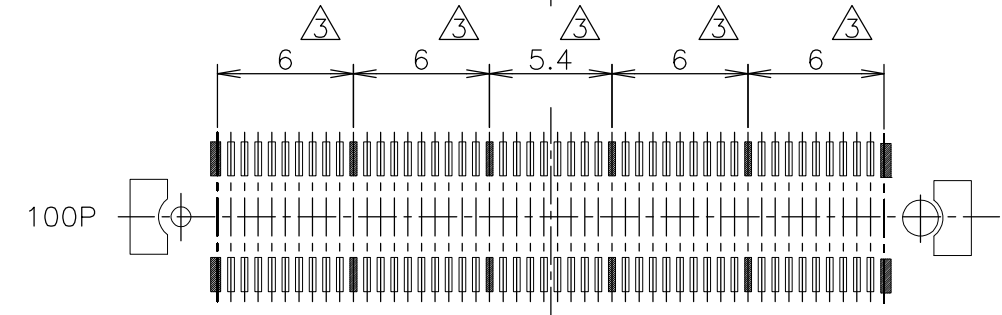
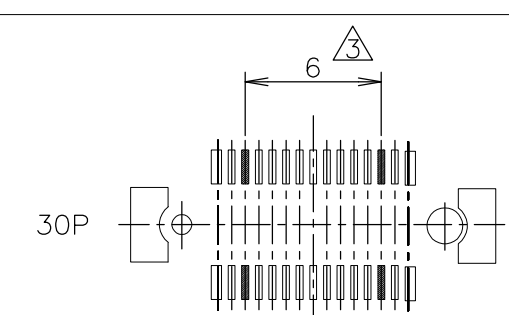
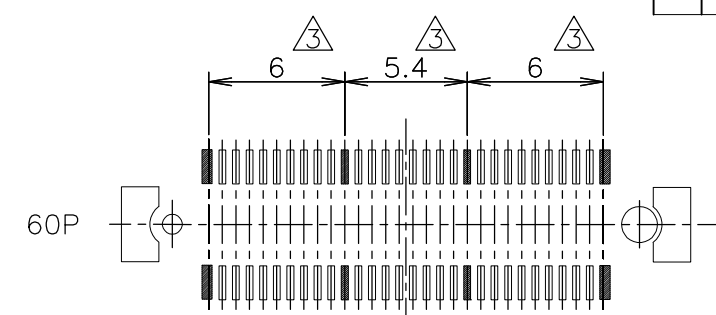
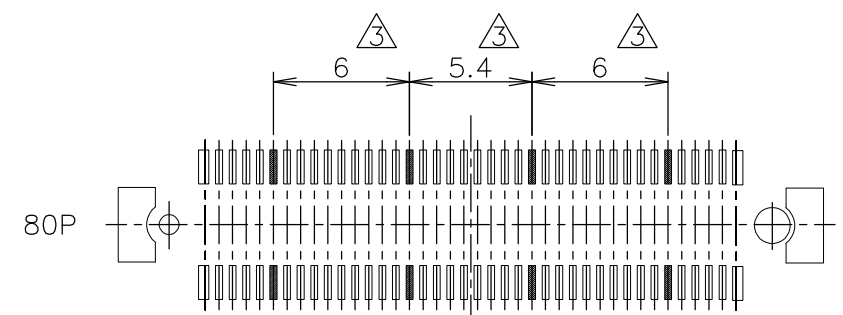
AVAILABLE	51.8	50.6	54.7	50	47.4	160
AVAILABLE	45.8	44.6	48.7	44	41.4	140
NOT AVAILABLE	39.8	38.6	42.7	38	35.4	120
AVAILABLE	33.8	32.6	36.7	32	29.4	100
NOT AVAILABLE	30.8	29.6	33.7	29	26.4	90
AVAILABLE	27.8	26.6	30.7	26	23.4	80
	24.8	23.6	27.7	23	20.4	70
	21.8	20.6	24.7	20	17.4	60
	18.8	17.6	21.7	17	14.4	50
AVAILABLE	15.8	14.6	18.7	14	11.4	40
NOT AVAILABLE	12.8	11.6	15.7	11	8.4	30
TOOLING STATUS	E	D	C	B	A	POS

REFERENCE P.C.BOARD LAYOUT

THIS DRAWING IS A CONTROLLED DOCUMENT.		DWN	TE Connectivity			
DIMENSIONS: 單位: 耗 mm		CHK				
TOLERANCES UNLESS OTHERWISE SPECIFIED: 一般公差		APVD				
0 PLC ± 0.3 1 PLC ± 0.3 2 PLC ± 0.3 3 PLC ± 0.3 4 PLC ± 0.3 ANGLES ± 3°		NAME 名称				
MATERIAL 材料		WEIGHT	TRAY ASSY FH 0.6BTB CONNECTOR REC 4H W/G-CONT			
FINISH 仕上		CUSTOMER DRAWING	SIZE	CAGE CODE	DRAWING NO 番号	RESTRICTED TO
① ②			A3	00779	G-5316077	
			SCALE 尺度	SHEET	REV	
			4:1	2 OF 3	C	

THIS DRAWING IS UNPUBLISHED. RELEASED FOR PUBLICATION MAY, 1995.
 © COPYRIGHT 1995 By - ALL RIGHTS RESERVED.

LOC J	DIST	REVISIONS 変更		
P	LTR	DESCRIPTION	DATE	DWN
	-	SEE SHEET 1	-	-
				APVD



- ① MATERIAL ; HOUSING : HIGH TEMP THERMO PLASTIC
UL94V-0
- ② FINISH ; CONTACT : COPPER ALLOY
UNDER PL Ni 0.0013mm MIN ALL OVER.
CONTACT AREA 0.0002 MIN Au PL.
SOLDERING AREA: SIGNAL POS 0.00005 MIN Au PL.
GROUND POS 0.001 MIN TIN PL.
- ③ THIS POSITION IS GROUND CIRCUIT.

THIS DRAWING IS A CONTROLLED DOCUMENT.		DWN	STE TE Connectivity		
DIMENSIONS: 単位: 耗 mm		CHK			
TOLERANCES UNLESS OTHERWISE SPECIFIED: 一般公差		APVD	NAME 名称		
0 PLC ± 0.3		PRODUCT SPEC 製品規格	TRAY ASSY		
1 PLC ± 0.3		APPLICATION SPEC 取付適用規格	FH 0.6BTB CONNECTOR		
2 PLC ± 0.3		WEIGHT	SIZE	CAGE CODE	DRAWING NO 番号
3 PLC ± 0.3		CUSTOMER DRAWING	A3	00779	G-5316077
4 PLC ± 0.3			SCALE 尺度	3:1	SHEET 3 OF 3
ANGLES ± 3'		RESTRICTED TO			
MATERIAL 材料	FINISH 仕上				